

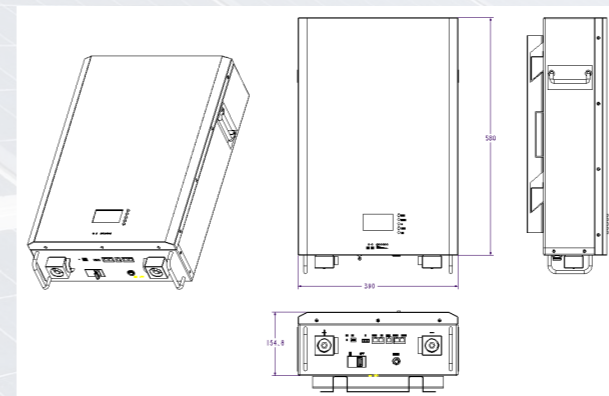


SHENZHEN LITU NEW ENERGY TECHNOLOGY CO.,LTD



PRODUCT SPECIFICATIONS

Product Specification		
Model No.	YP MW48100-4.8KWH	YP MW51100-5.12KWH
Voltage	48V	51.2V
Combination	15S2P	16S2P
Capacity	100AH	
Energy	4.8KWH	5.12KWH
Weight	45KG	50KG
Chemistry	Lithium Ferro Phosphate (Lifepo4) Safest Lithium Ion, No fire risk	
BMS	Built - in Battery Management System	
Connectors	Standard Input/Output Terminal	
Dimension	580*390*180mm	
Cycles (80% DOD)	6000 cycles	
Depth of discharge	Upto 100%	
Life time	10 years	
Standard charge	50A	
Standard discharge	50A	
Maximum continuous charge	95A	
Maximum continuous discharge	95A	
Operation temperature	Charge : 0~45°C, Discharge: -20~55°C	
Storage Temperature	Keep at -20 to 65°C	
Protection standard	Ip21	
Cut off voltage	40.5V	43.2V
Max.charging voltage	54.75V	58.4V
Memory effect	None	
Maintenance	Maintenance free	
Compatibility	Compatible with all standard offgrid inverters and charge controllers. Battery to inverter output sizing keep 2:1 ratio.	
Warranty Period	5-10 Years	
Remarks	Youth Power battery BMS must be wired in parallel only. Wiring in series will void the warranty.	



www.youth-power.net

Email : sales@youth-power.net